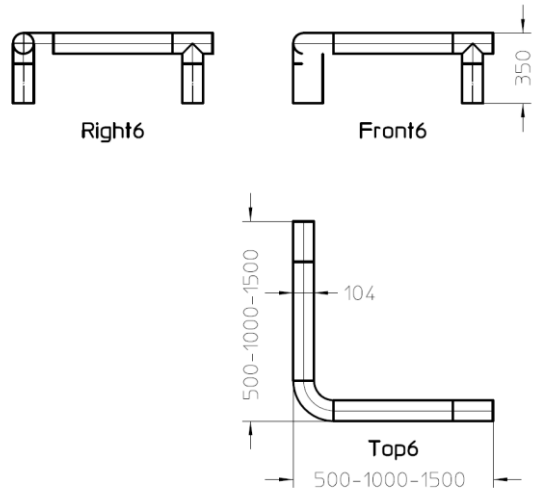


Crash protection corner – straight ends – for concreting

As manufacturer we can offer you the following:



<ul style="list-style-type: none"> • Crash protection corner – straight ends • For concreting • Stainless steel 304/316 • polished • Total height: 350 mm • Length: 500–1000-1500 mm • Tube : Ø 104x2 mm • Seamless finishing • Filled with concrete 	Code					weight
	SH-RU-BT-104x2-350x 500 x350- rvs 304 -beton					37 kg
	SH-RU-BT-104x2-350x 500 x350- rvs 316 -beton					37 kg
	SH-RU-BT-104x2-350x 1000 x350- rvs 304 -beton					62 kg
	SH-RU-BT-104x2-350x 1000 x350- rvs 316 -beton					62 kg
	SH-RU-BT-104x2-350x 1500 x350- rvs 304 -beton					87 kg
	SH-RU-BT-104x2-350x 1500 x350- rvs 316 -beton					87 kg

These are the most ordered dimensions. Other dimensions are also possible.

For orders and price requests you can email us: info@axra.be

